

L'Poligrafica - Cantù - Tel. 0341 665111

NOVITÀ!!!

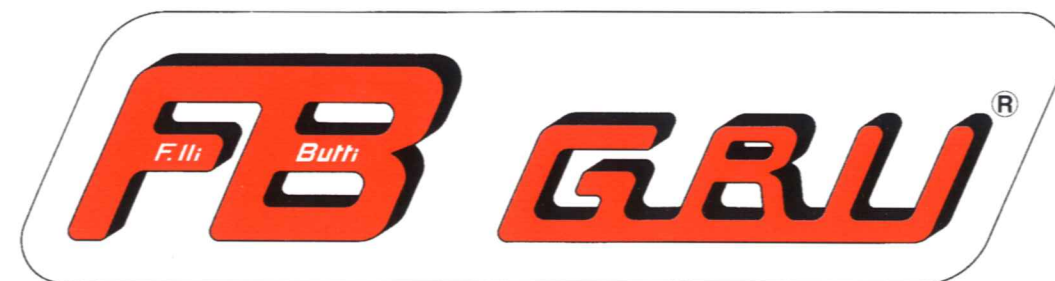
GA 120

GRU AUTOMATICA CON MONTAGGIO IDRAULICO

MASSIMA COMPATTEZZA

- Si trasporta con un solo bilico completa di zavorra
- Autolivellante grazie alla tecnologia degli attuatori idraulici
- Prezavorrata (si monta senza il completamento della zavorra)
- Libertà di rotazione sui 360° durante il montaggio
- Ingombri ridotti (ruota all'interno degli appoggi!)
- Quattro configurazioni di lavoro

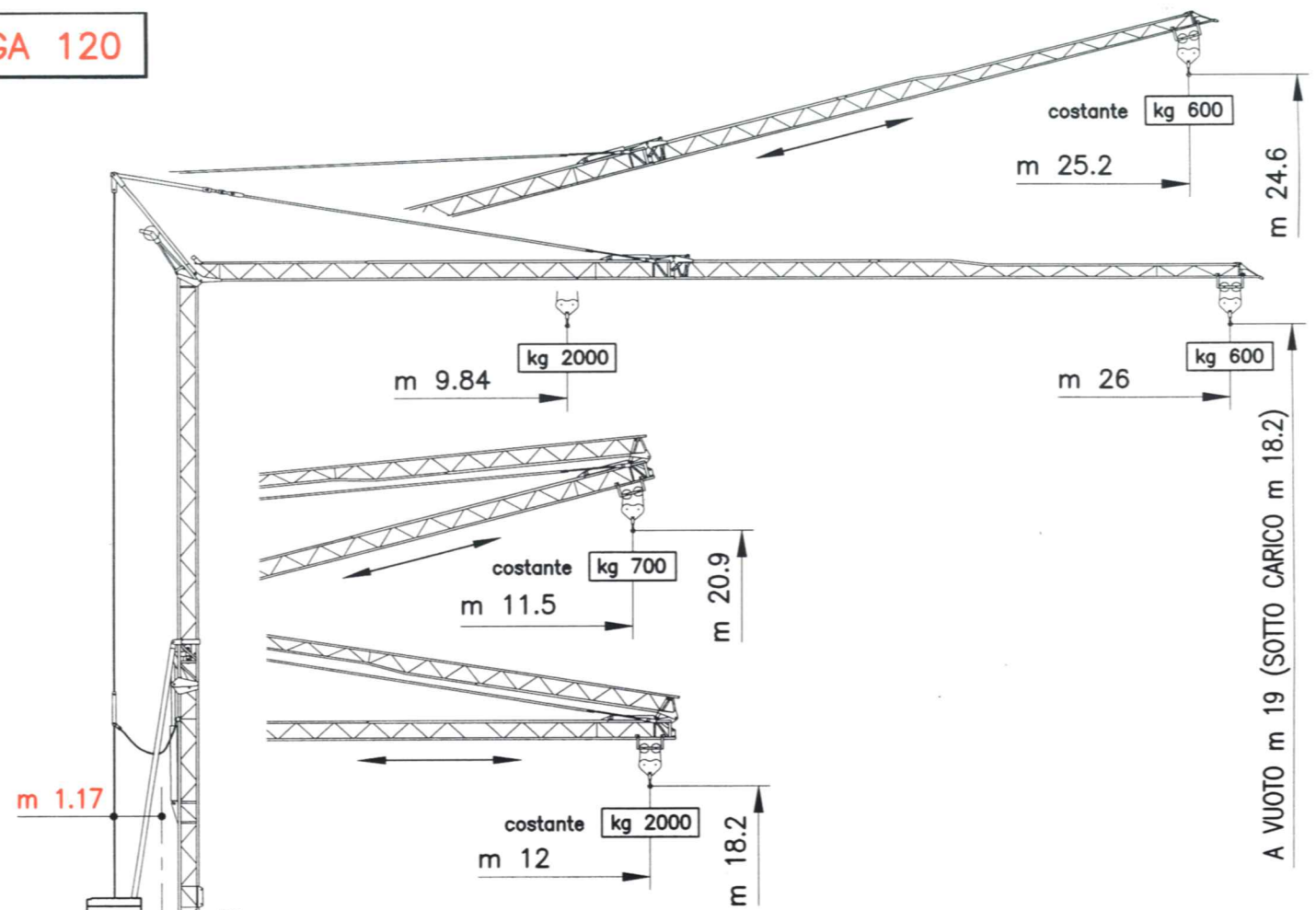
Conforme alle direttive **CE**



F.lli BUTTI s.r.l.

23868 Valmadrera (Lecco) Italy - Via XXV Aprile, 58
 Tel. 0341/581108 (3 linee) - Fax 0341/200253
 E-mail: fbgru@fbgru.it - <http://www.fbgru.it>

GA 120



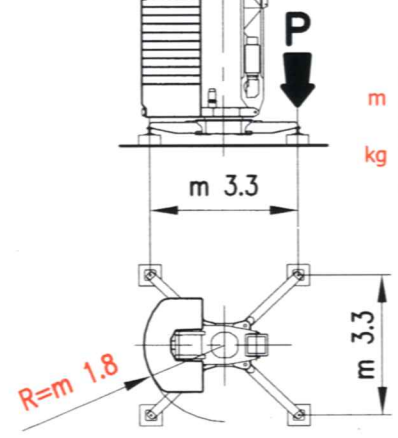
Curve di carico - Curvas de cargas - Load diagrams - Lastkurven - Courbes de charges

m	9.84	11	12	13	14	15	16	17	18	19	20	21	22	23	24	25	26
kg	2000	1750	1580	1436	1314	1210	1119	1040	952	891	836	787	743	702	665	631	600

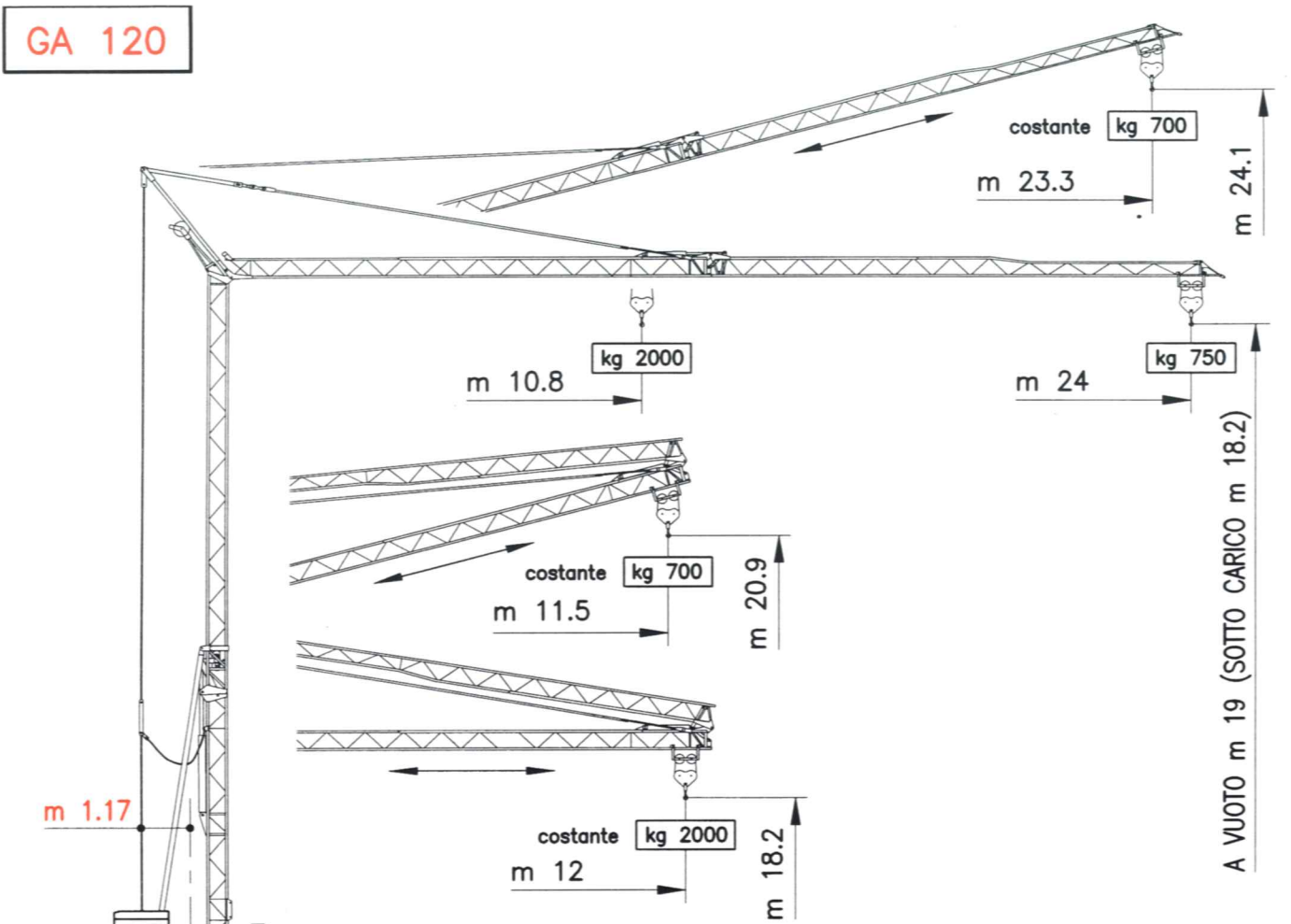
P	● kg 12600	■ kg 9000							
●	In servizio	●	En servicio	●	In service	●	In Betrieb	●	En service
■	Fuori servizio	■	Fuera de servicio	■	Out of service	■	Ausser Betrieb	■	Hors service
⚙	kg 12600	kg 7900							

Peso con zavorra di montaggio
 Peso de la grua con lastre de montaje
 Crane weight with erection ballast
 Gewicht ohne montage-ballast
 Poids avec lest de montage

Peso senza zavorra di montaggio
 Peso de contruccion
 Weight without erection ballast
 Konstruktionsgewicht
 Poids sans lest de montage



GA 120



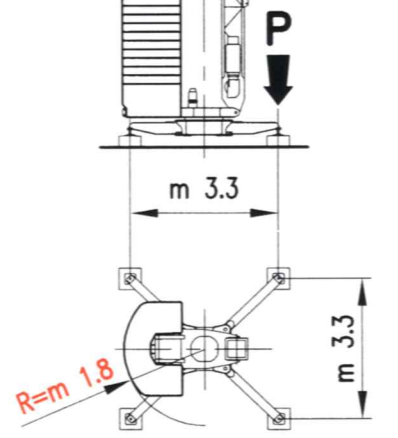
Curve di carico - Curvas de cargas - Load diagrams - Lastkurven - Courbes de charges

m	10.8	12	13	14	15	16	17	18	19	20	21	22	23	24
kg	2000	1760	1601	1467	1352	1252	1164	1087	999	939	885	836	791	750

P	● kg 12600	■ kg 9000							
●	In servizio	●	En servicio	●	In service	●	In Betrieb	●	En service
■	Fuori servizio	■	Fuera de servicio	■	Out of service	■	Ausser Betrieb	■	Hors service
⚙	kg 12520	kg 7820							

Peso con zavorra di montaggio
 Peso de la grua con lastre de montaje
 Crane weight with erection ballast
 Gewicht ohne montage-ballast
 Poids avec lest de montage

Peso senza zavorra di montaggio
 Peso de contruccion
 Weight without erection ballast
 Konstruktionsgewicht
 Poids sans lest de montage



MECCANISMI- MECANISMOS - MECHANISMS - ANTRIEBE - MÉCANISMES

MOVIMENTO MOVIMIENTO MOVEMENT BEWEGUNG MOUVEMENT	ALIMENTAZIONE ALIMENTACION OPERATING VOLTAGE BETRIEBSSPANNUNG TENSION DE SERVICE	VELOCITA' - CARICO VELOCIDAD - CARGA SPEED RATE - ARM LOAD TRAGFAHIGKEIT - GESCHWINDIGKEIT VITESSE - CHARGE	POTENZA NECESSARIA POTENCIA NECESARIA POWER REQUIREMENT KRAFTE DARF PUISSANCE NÉCESSAIRE																								
SOLLEVAMENTO ELEVACION - HOISTING HEBEN - LEVAGE	400 V 50 Hz INVERTER	<table border="1"> <tr> <td></td> <td>→</td> <td>→→</td> <td>→→→</td> <td>→→→→</td> <td>→→→→→</td> <td>→→→→→→</td> <td>→→→→→→→</td> </tr> <tr> <td>m/1'</td> <td>↓ 5</td> <td>↑ 26</td> <td>↓ 27</td> <td>↑ 26</td> <td>↓ 27</td> <td>↑ 47</td> <td>↓ 50</td> </tr> <tr> <td>kg</td> <td>2000</td> <td>2000</td> <td>2000</td> <td>1000</td> <td>1000</td> <td>600</td> <td>600</td> </tr> </table>		→	→→	→→→	→→→→	→→→→→	→→→→→→	→→→→→→→	m/1'	↓ 5	↑ 26	↓ 27	↑ 26	↓ 27	↑ 47	↓ 50	kg	2000	2000	2000	1000	1000	600	600	kW 14 9.2
	→	→→	→→→	→→→→	→→→→→	→→→→→→	→→→→→→→																				
m/1'	↓ 5	↑ 26	↓ 27	↑ 26	↓ 27	↑ 47	↓ 50																				
kg	2000	2000	2000	1000	1000	600	600																				
CARRELO CARRILLO - JIB TROLLEY LAUFKATZE - DISTRIBUTION	400 V 50 Hz	<table border="1"> <tr> <td></td> <td>→</td> <td>→→</td> </tr> <tr> <td>m/1'</td> <td>19</td> <td>38</td> </tr> </table>		→	→→	m/1'	19	38	kW (max) 2.4																		
	→	→→																									
m/1'	19	38																									
ROTAZIONE ROTACION - SLEWING DREHEN - ORIENTATION	400 V 50 Hz INVERTER	g/1' rpm	0,3 → 1 kW 2.2																								

Con riserve di modifica - Derecho de modificaciones reservadas - Subject to change whitout notice - Anderungen vorbehalten - Modifications réservés

MECCANISMI- MECANISMOS - MECHANISMS - ANTRIEBE - MÉCANISMES

MOVIMENTO MOVIMIENTO MOVEMENT BEWEGUNG MOUVEMENT	ALIMENTAZIONE ALIMENTACION OPERATING VOLTAGE BETRIEBSSPANNUNG TENSION DE SERVICE	VELOCITA' - CARICO VELOCIDAD - CARGA SPEED RATE - ARM LOAD TRAGFAHIGKEIT - GESCHWINDIGKEIT VITESSE - CHARGE	POTENZA NECESSARIA POTENCIA NECESARIA POWER REQUIREMENT KRAFTE DARF PUISSANCE NÉCESSAIRE																								
SOLLEVAMENTO ELEVACION - HOISTING HEBEN - LEVAGE	400 V 50 Hz INVERTER	<table border="1"> <tr> <td></td> <td>→</td> <td>→→</td> <td>→→→</td> <td>→→→→</td> <td>→→→→→</td> <td>→→→→→→</td> <td>→→→→→→→</td> </tr> <tr> <td>m/1'</td> <td>↓ 5</td> <td>↑ 26</td> <td>↓ 27</td> <td>↑ 26</td> <td>↓ 27</td> <td>↑ 43</td> <td>↓ 45</td> </tr> <tr> <td>kg</td> <td>2000</td> <td>2000</td> <td>2000</td> <td>1000</td> <td>1000</td> <td>750</td> <td>750</td> </tr> </table>		→	→→	→→→	→→→→	→→→→→	→→→→→→	→→→→→→→	m/1'	↓ 5	↑ 26	↓ 27	↑ 26	↓ 27	↑ 43	↓ 45	kg	2000	2000	2000	1000	1000	750	750	kW 14 9.2
	→	→→	→→→	→→→→	→→→→→	→→→→→→	→→→→→→→																				
m/1'	↓ 5	↑ 26	↓ 27	↑ 26	↓ 27	↑ 43	↓ 45																				
kg	2000	2000	2000	1000	1000	750	750																				
CARRELO CARRILLO - JIB TROLLEY LAUFKATZE - DISTRIBUTION	400 V 50 Hz	<table border="1"> <tr> <td></td> <td>→</td> <td>→→</td> </tr> <tr> <td>m/1'</td> <td>19</td> <td>38</td> </tr> </table>		→	→→	m/1'	19	38	kW (max) 2.4																		
	→	→→																									
m/1'	19	38																									
ROTAZIONE ROTACION - SLEWING DREHEN - ORIENTATION	400 V 50 Hz INVERTER	g/1' rpm	0,3 → 1 kW 2.2																								

Con riserve di modifica - Derecho de modificaciones reservadas - Subject to change whitout notice - Anderungen vorbehalten - Modifications réservés