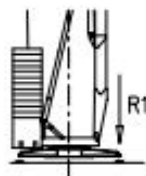


**GRU A MONTAGGIO RAPIDO**  
**GRUE A MONTAGE RAPIDE**  
**GRUA DE RAPIDO MONTAJE**  
**GRUA DE MONTAGEM RAPIDA**  
**QUICK SELFRECTING CRANE**  
**HYDRAULISCHER SCHNELLMONTAGEKRAN**

Curve di carico – Courbes de charges – Load diagrams – LastKurven – Curvas de cargas

	3	23.5	26	m								
	700	700	700	kg								
	3	13.2	14	16	18	20	22	24	26	28	m	
	2000	2000	1860	1585	1375	1210	1080	970	875	800	kg	
	3	14	15	17	19	21	23	25	m			
	2000	2000	1840	1580	1385	1230	1100	1000	kg			
	3	13	m									
	2000	2000	kg									

Reazioni – Reactions – Réactions – Eckdrücke – Reacciones – Reacções

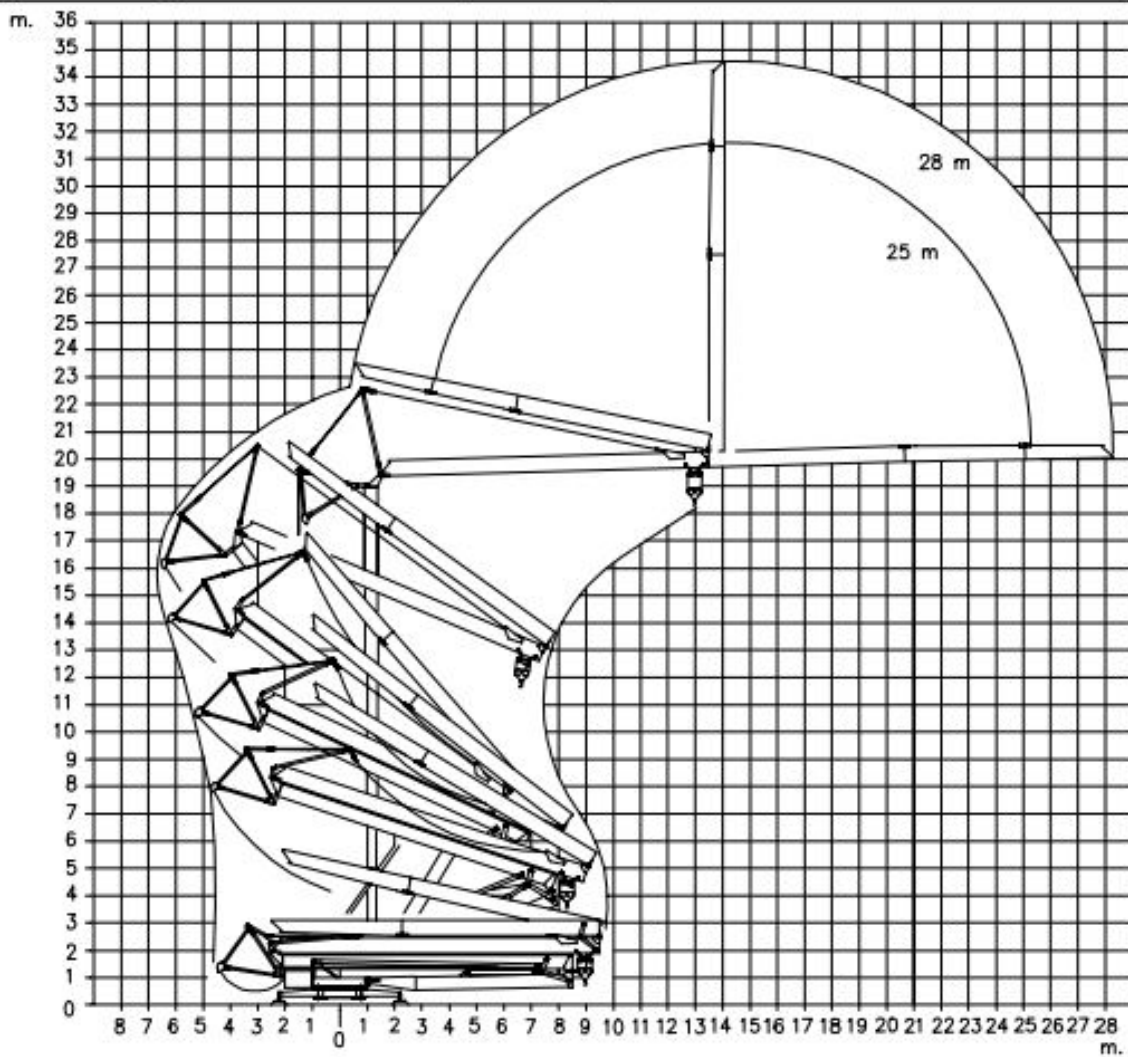


R1 ● 15.5 t ■ 16.8 t

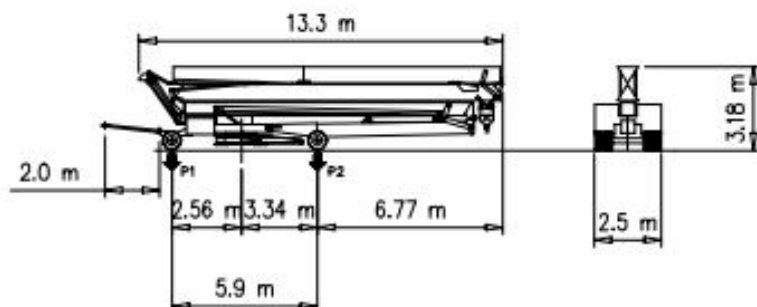
▲ 9.2 t ○ 17 t

- |                               |                                      |                                      |
|-------------------------------|--------------------------------------|--------------------------------------|
| ● Reazioni in servizio        | ● Reactions in service               | ● Réactions en service               |
| ■ Reazioni fuori servizio     | ■ Reactions out of service           | ■ Réactions hors service             |
| ▲ Peso della gru senza assali | ▲ Dead weight without transport axes | ▲ Poids de construction sans essieux |
| ○ Peso zavorra rotante        | ○ Ballast weight                     | ○ Poids du lest                      |
- 
- |  |  |   |
|--|--|---|
| ● Reaktionskräfte in betrieb               | ● Reacciones en servicio                 | ● Em serviço                              |
| ■ Reaktionskräfte außer betrieb            | ■ Reacciones fuera de servicio           | ■ Fora de serviço                         |
| ▲ Konstruktionsgewicht ohne transportachse | ▲ Peso de la grua sin tren de transporte | ▲ Peso de la grua sem carro de transporte |
| ○ Ballastgewicht                           | ○ Peso de lastre                         | ○ Peso de lastre rotativo                 |

Montaggio – Montage – Erection – Montage – Montaje





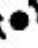


Trasporto – Transport – Transport – Transport – Transporte



P1	kg	6800
P2	kg	10800
Ptot	kg	17600

Meccanismi – Mechanisms – Mécanismes – Antriebe – Mecanismos – Montagem

Sollevamento Hoisting Levage Heben Elevación Elevação			1a	4 m/min	2000 kg	6.6 kW
			2a	16 m/min	2000 kg	
			3a	32 m/min	1000 kg	
Carrello Trolleying Distribution Katzfahren Distribución Distribuição			1a	17.5 m/min	700 kg	2.2 kW
			1a	17.5 m/min	2000 kg	
			2a	35 m/min	2000 kg	
Rotazione Slewing Orientación Schwenken Orientación Rotação			giri/min 0.8 tr/mIn rp/min			2.2 kW

Rete elettrica – Réseau – Mains supply – Netzstrom – Red – Rede electrica	400V – 50 Hz
---	--------------

Potenza elettrica necessaria – Puissance électrique nécessaire Necessary electric power – Anschlusswert – Potencia electrica necesaria	15 kVA
---	--------

 <p>FMgru s.r.l. Via Emilia 11-29010 Pontenure PC ITALY tel. 0523/510446 r.c.aut. fax 0523/510365 www.fmgru.com e-mail: info@fmgru.com</p>	DIN 15018 2000/14/CE
---	-------------------------



Documento commerciale non contrattuale  
Per tutte le informazioni tecniche riferirsi  
alle corrispondenti istruzioni

Unverbindliches Vertriebsdokument.  
Für technische Informationen, siehe die  
entsprechenden Anweisungen.

This commercial document is not legally  
binding. For any technical information, please  
refer to the corresponding instructions.

Documento comercial no contractual  
Para cualquier información técnica,  
ver la noticie correspondiente.

Codice 150A37R05DAD			
Ed.	Descr.	Rev.	Conte.
1	06.06.03D		06.06.03